

# NEWS

## MiniMax

Machines  
for the semi-professional  
woodworker



## TECNOMAX

Machines  
for the general  
woodworking workshop



## FORMULA

Classical and  
automatical machines  
for production  
woodworking workshops



Milan 16-20 May 2006



# Xylexpo 2006

**Hall 3 Stand P11**

MINIMAX, TECNOMAX and FORMULA are SCM GROUP companies dedicated to the production of machinery for woodworking workshops. As a worldwide preview the new range of machines will be on show at Xylexpo 2006.

E-mail: [contact@scm.it](mailto:contact@scm.it) Mobile: (91) 99200 71716

MiniMax

## Spindle moulder T40F – T40I

MiniMax renews its spindle moulder range

### T40 series: precision and performance even for small woodworking workshop

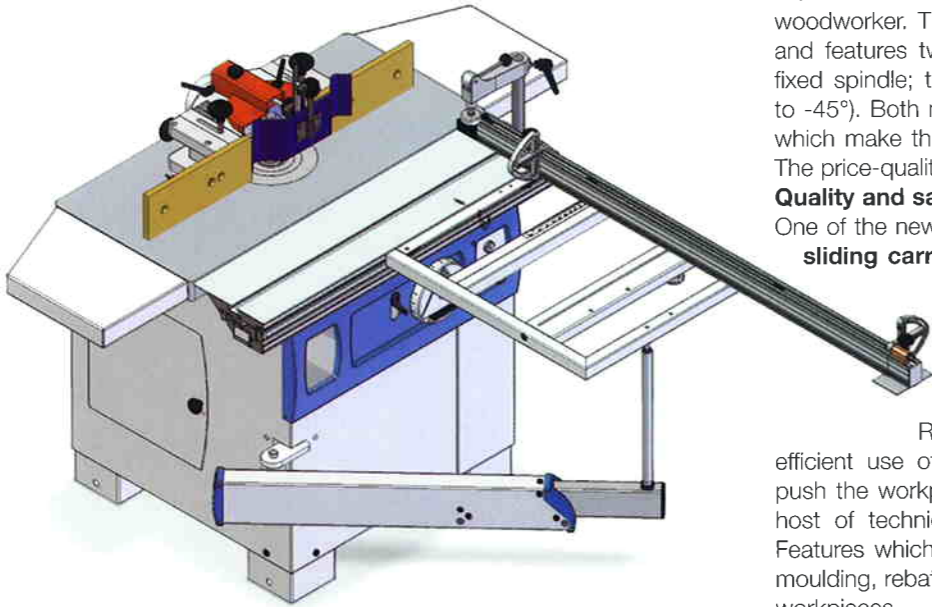
The performance and specification of the new MiniMax spindle moulders have been upgraded to meet all the requirements of the woodworker. The new range takes the place of the current T40N and features two new machines: the **T40F** spindle moulder with fixed spindle; the **T40I** spindle moulder with a tilting spindle (90° to -45°). Both machines feature numerous technical improvements which make them even more competitive in this market segment. The price-quality ratio is even better than before.

#### Quality and safety

One of the new features worth noting is the **anodised aluminium sliding carriage**. This is fitted as standard on the T40I and as an optional on the T40F and improves all-round performance especially on tenoning jobs.

Particular care has gone into the design of safety features when using the tilting spindle of the T40I to mould small workpieces.

Rearwards tilting (to -45°) of the spindle enables efficient use of the feeder so that it is no longer necessary to push the workpiece forward by hand. The range features a whole host of technical improvements and a wide variety of options. Features which make these machines ideal for tenoning, shaping, moulding, rebating and machining at the spindle head even on large workpieces.



MiniMax

## C26 genius

The combined machine available also in hardware shops

### C26 Genius: ongoing success in sales

In 2005 the combined universal machine C26 genius was introduced in the market. The success was greater than expected: **in only 6 months over 550 machines were produced and sold.**

C26 genius has been judged as the right machine for the advanced hobbyist woodworker. Its winning points are **professional performances with compact overall dimensions.**

Thanks to a widespread distribution network, close to each potential customer, it was possible to achieve such a big sales success.

C26 Genius is now available from the traditional woodworking dealers but also from hardware and other different shops.

The first months of 2006 are confirming an increase in the demand of C26 genius.



TECNOMAX

## New combined elite series

A new family of combined machines with the Tecnomax brand

### Elite series: combined machines for the professional

The new Tecnomax Elite series combined machines are based on the Smart series and incorporate new technical features ideal for the professional woodworker who is looking for good performance and ease-of-use combined with guaranteed precision and reliability throughout the machine life cycle. The Elite series consists of three universal combined machines (CU300, CU350 and CU410), three combined planer-thicknessers (FS30, FS35 and FS41) and a combined saw-spindle moulder (ST4).

#### Professional down to the last detail

The technical specification of the Elite series has been designed to offer professional performance, right down to the last detail. Much care and attention to detail has gone into the design and quality of the machining

units. The spindle moulder design is new. It has a strong, cast-iron structure to guarantee maximum stability and rigidity under all operating conditions. Spindle head speeds during moulding can reach 10,000 rpm. The saw unit is based on the unit fitted to our professional circular saws. On non-EC machines the standard main blade and scoring saw blade can be replaced with a single 350 mm diameter blade to increase cutting depth to 120 mm. The anodised aluminium sliding carriage also features several improvements. It is now more rigid and stable during cutting operations and worktable dimensions have been increased to facilitate the machining of large-size workpieces. A large range of options is available to make Elite series machines even more competitive. Options include numeric indicators showing machining unit positions and a separate motor for the scoring saw.



TECNOMAX

## New panel saw SC4WS

The new, entry-level Tecnomax saw

### New SC4WS: a versatile, professional saw

The new Tecnomax SC4WS saw sets new standards for entry-level professional circular saws guaranteeing top performance and high reliability at a reasonable price. This saw is ideal for a **broad spectrum** of users ranging from the small craft woodworker to the joinery subcontractor looking for a machine suitable for customised cutting.

#### A professional saw unit

The design of the **new saw unit** has been completely changed and is now based on the saw units seen on the S315-350WS professional circular saws.

The structure of the saw unit is made entirely from cast iron and firmly anchored to the worktable by solid, cast-iron supports. These two features ensure that the unit will remain precise and reliable throughout its working life. The saw unit will take blades

up to a diameter of 315 mm when fitted together with a 100 mm scoring saw. Without a scoring saw blade a 350mm diameter main blade can be fitted (non EC machines only) to enable a cutting depth of 120mm. The saw unit can also be fitted with two motors with

a separate motor for the scoring saw. Professional performance is guaranteed even on the most difficult cuts. This is thanks

to the solid structure and the high rigidity of the **new**

**Tecnomax anodised aluminium sliding carriage.** The blade

tilt angle can be read off from the numeric indicator on the front of the machine. The wide range of

options available for this machine include

an uprated motor delivering 7.5Hp (5.5 kW)

at 50hz, longer sliding carriage strokes up to 3300mm and a digital display showing the position of the rip fence on the round slide bars.



E-mail: [contact@capitalwood.com](mailto:contact@capitalwood.com) or 0920057726

Continued expansion of range

### Formula Line: new models for a successful range



ME30 and ME30 Plus compact, single-side edge bander with high-frequency motors"



LV 3-95 and LV 5-110 automatic wide-belt calibrating sanding machines.

Q18 automatic planer-moulder with 4 spindles



The Formula line was introduced fifteen years ago featuring just a few machine models. In 2005 the Formula line became a complete range of traditional machines. Sales results have been excellent with over 1000 machines distributed world-wide every year.

At Xylexpo 2006 we will be presenting the latest additions to the range and will be presenting **automatic machines for processing solid wood and wood panels**. These machines are targeted at the **woodworker who wants to move up** from working with traditional manual machines to automated machines enabling higher production rates and a better quality product finish.

In the exhibition halls the following new models will be on display:

- Formula **ME30** and **ME30 Plus**, compact, single-side edge bander with high-frequency motors.
- Formula **LV 3-95** and **LV 5-110**, automatic wide-belt calibrating sanding machines.
- Formula **Q18**, automatic planer-moulder with 4 spindles.

These machines continue the tradition of reliability, precision and competitive pricing which has made the Formula line such a success in recent years.

# MiniMax, Tecnomax and Formula:

the right answer to the woodworking needs

## MiniMax

Machines for the semi-professional woodworker



MiniMax has over 30 years of experience in the woodworking machinery business and today offers a wide range of products, from universal combined machines through to single-function machines for the semiprofessional user. MiniMax can count on expertise and focus in design and production of woodworking machinery, now MiniMax is a worldwide brand recognized as a market leader in its segment. Main features of MiniMax machines are easy-of use, long lasting reliability and latest technical innovations.

## TECNOMAX

Machines for the general woodworking workshop



The Tecnomax brand, introduced in 2005, has been created to identify the range of products for the professional woodworker, from universal combined machines through to single-function machines like panel saws, spindle moulders, semi-automatic edgebanders and multiborers. In 2006 the range of machines will be enriched with new models dedicated to a wide variety of professionals, craftsmen, carpenters and woodworking workshops. Tecnomax aims to be recognised as high performance, quality and reliable product with a quick return on the investment.

## FORMULA

Classical and automatic machines for production woodworking workshops



FORMULA line is the new, bigger range of professional wood-working machines, for use in small- or medium-sized workshops. The simple design reflects the general idea behind each model: functionality and quality. The range includes planers and thicknessers, combined planers/thicknessers, spindle moulders with fixed or tilting spindles and circular saws. FORMULA machines are available at a very reasonable price, and thanks to the various optional features, can be configured to suit most professional requirements. Xylexpo 2006 will be an historical event for the Formula range of machines. There will be introduced the first step on automatic machines for both solid wood and panel processing. On display there will be ME30 and ME30 Plus "compact, single-side edge bander with high-frequency motors", LV 3-95 and LV 5-110 "automatic wide-belt calibrating sanding machines", Q18 "automatic planer-moulder with 4 spindles".



# MiniMax machines at the service of the most prestigious shipbuilding yard. "Dominator case history"

**TECNOLOGIE D'ALTO MARE**

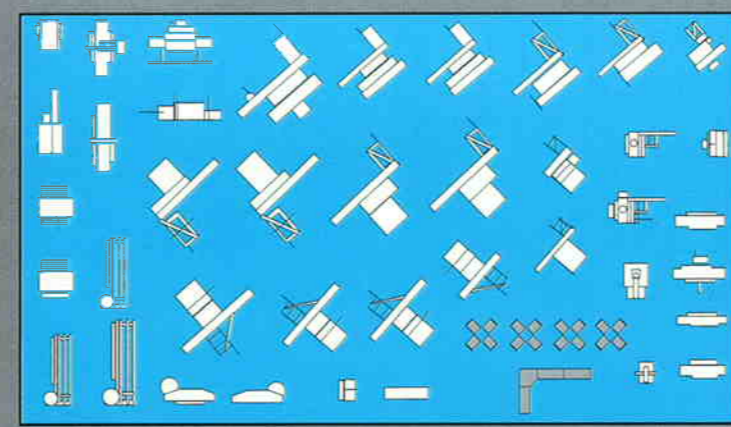
le macchine Minimax al cantiere Dominator

Il servizio ospitato in queste barche ha un'ambizione molto elevata: quello di quelli che sono abituati a proporre di molti settori. Le macchine Minimax in questa vettura non si fermano in una fotografia: vengono utilizzati per la progettazione di un'industria mobile, sono in funzione invece in un cantiere che produce yacht di prestigio, la Dominator di Fano, in provincia di Pesaro. L'azienda è stata fondata nel 1999 e subito ha trovato una collaborazione preminente nel panorama della cantieristica di yacht di lusso grazie alla presenza di imbarcazioni raffinate e prestigiose. Il modernissimo cantiere che occupa una parte del porto di Fano, una località che costituisce uno dei principali poli mondiali del cantiere da diporto. Si tratta di una struttura espressamente progettata per la costruzione di yacht in vetroresina in cui lavorano circa 250 operai impegnati nella diverse fasi operative che vanno dalla progettazione alla consegna delle operazioni. La specializzazione è in tutti i settori: dalla realizzazione degli scafi in vetroresina all'allestimento, fino al completamento delle imbarcazioni, vengono assegnati interamente all'interno degli stabilimenti Dominator. La gamma è di tutto rispetto: va dai 18 ai 30 metri ed è frutto della creatività di Don Lenardi e di Carlo Navalon, designer di fama mondiale e titolare del rinomato studio olandese di Venezia.

La serietà del mare. Tutti i modelli della gamma Dominator sono dotati per l'elasticità degli interni e il massimo livello di personalizzazione, che consente all'armatore di scegliere le decorazioni interne con una vasta gamma di possibilità. Tutti i materiali scelti per la realizzazione sono di altissima qualità e spartano costo: pressopoco dei legni più pregiati (noce, palissandro e teak) delle più famose case italiane a stacco. La qualità del cantiere è quella di scuderia, con i clienti più esigenti, dando così la possibilità di personalizzare fino all'ultimo il proprio yacht secondo il loro gusto. Le sfumature in colori si avvalgono della tecnologia più avanzata e moderna per ottenere finiture di grande bellezza.

La serietà del mare. Tutti i modelli della gamma Dominator sono dotati per l'elasticità degli interni e il massimo livello di personalizzazione, che consente all'armatore di scegliere le decorazioni interne con una vasta gamma di possibilità. Tutti i materiali scelti per la realizzazione sono di altissima qualità e spartano costo: pressopoco dei legni più pregiati (noce, palissandro e teak) delle più famose case italiane a stacco. La qualità del cantiere è quella di scuderia, con i clienti più esigenti, dando così la possibilità di personalizzare fino all'ultimo il proprio yacht secondo il loro gusto. Le sfumature in colori si avvalgono della tecnologia più avanzata e moderna per ottenere finiture di grande bellezza.

Source: Article from IDM "Industria del Mobile" No. 532, Settembre 2005"



Machines on display at Xylexpo 2006

Formula Q18	Automatic planer moulder	Minimax Lab 300n	Comb. universal machine	Minimax SC2W	Panel saw
Formula ME30	Automatic edgbander	Minimax CU410 classic	Comb. universal machine	Minimax SC3W	Panel saw
Formula ME30 Plus	Automatic edgbander	Minimax CU300 smart	Comb. universal machine	Tecnomax SC4WS	Panel saw
Formula LV 3-95	Automatic sanding machine	Tecnomax CU300 elite	Comb. universal machine	Tecnomax S350WS	Panel saw
Formula LV 5-110	Automatic sanding machine	Tecnomax CU 410 elite	Comb. universal machine	Minimax T40	Spindle moulder
Formula F2	Planer	Tecnomax CU 410 eliteS	Comb. universal machine	Tecnomax T50	Spindle moulder
Formula FS2	Combined thicknesser/planer	Minimax FS 41 classic	Comb. thicknesser/planer	Tecnomax ME15	Automatic edgebander
Formula SP2	Thicknesser	Minimax FS30 smart	Comb. thicknesser/planer	Tecnomax ME20	Automatic edgebander
Formula S35M	Panel saw	Tecnomax FS 30 elite	Comb. thicknesser/planer	Minimax S45N	Band saw
Formula S40M	Panel saw	Tecnomax FS 41 elite	Comb. thicknesser/planer	Tecnomax Router	Router
Formula T60I	Spindle moulder	Tecnomax FS 41 eliteS	Comb. thicknesser/planer		
Formula T70F	Spindle moulder	Tecnomax ST4 elite	Comb. saw/spindle moulder		
Minimax C26 genius	Combined universal machine	Tecnomax ST5 eliteS	Comb. saw/spindle moulder		

## MiniMax TECNOMAX FORMULA

at Xylexpo 2006

Hall 3  
Stand P11

SCM GROUP spa - MINIMAX  
Via Casale, 450 - 47827 Villa  
Verucchio (RN) - Italia  
Tel. +39/0541/679578 - 679580  
Fax +39/0541/674273  
e-mail: info@minimax.sm  
www.minimax.sm





**Head Office** Caple Traders , 6, 7, 8 Kedia Chambers, Opp. Old Police Station, Near New Era Theatre, S.V. Road, Malad (W), Mumbai – 400064.  
Tel: 022-28825542, 28894090, 28898531 | Fax: 022-28899725 | E-mail: [web@caple.in](mailto:web@caple.in) | Website: [www.caple.in](http://www.caple.in)

**Demo Centre** Caple Traders, Navdurga, Shah Arcade Building No. 8, Near Rani Sati Flyover, W.E. Highway, Malad (E), Mumbai - 400 097.  
Tel: +91-22-28803584, 28803586 | Fax: +91-22-28441071 | E-mail: [web@caple.in](mailto:web@caple.in) | Website: [www.caple.in](http://www.caple.in)

## Query Sheet

Company Name & Address -

Delivery Name & Address -

Contact Person -

Designation -

Mobile No -

Fax No -

Mail Id -

Item -

Model No (If Known) -

Capacity Size -

Application -

Expected Delivery Time -

Notes -

E-mail: [contact@caple.in](mailto:contact@caple.in) Mobile: (91) 99200 71716

